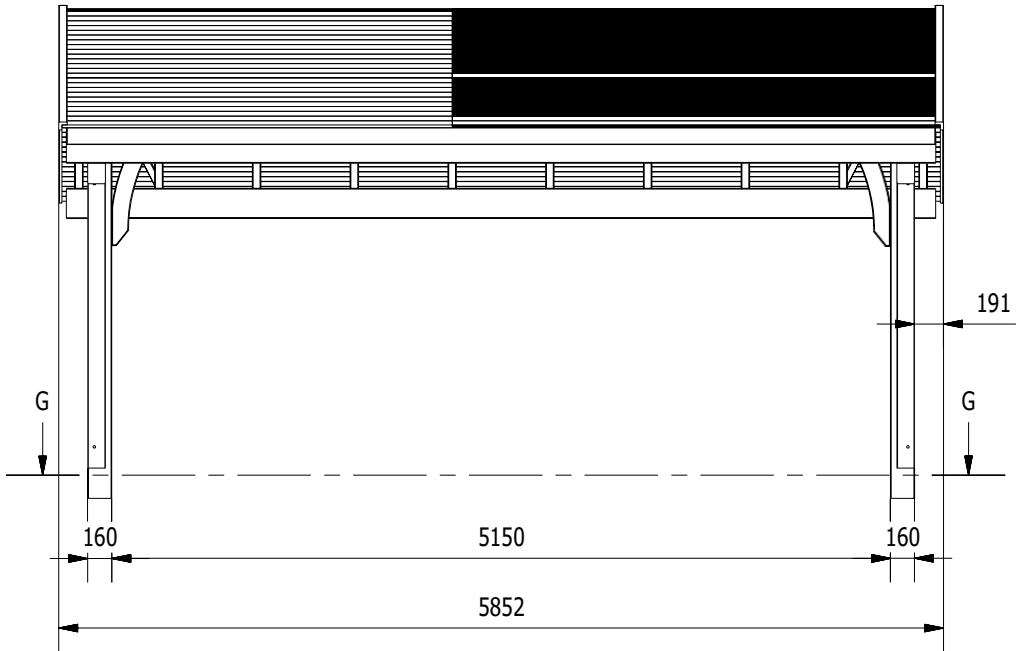


REVELATIOII

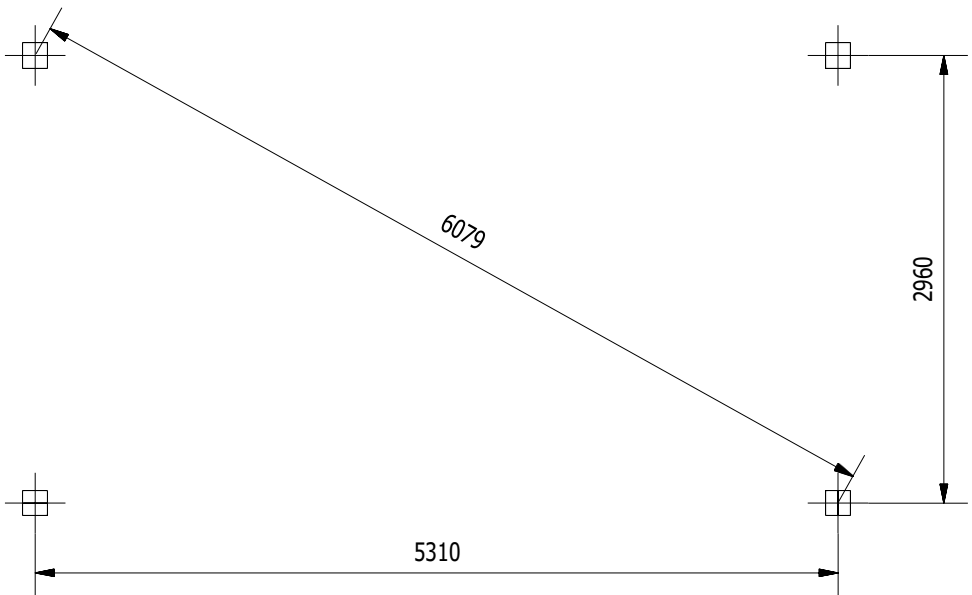
L = 585 cm

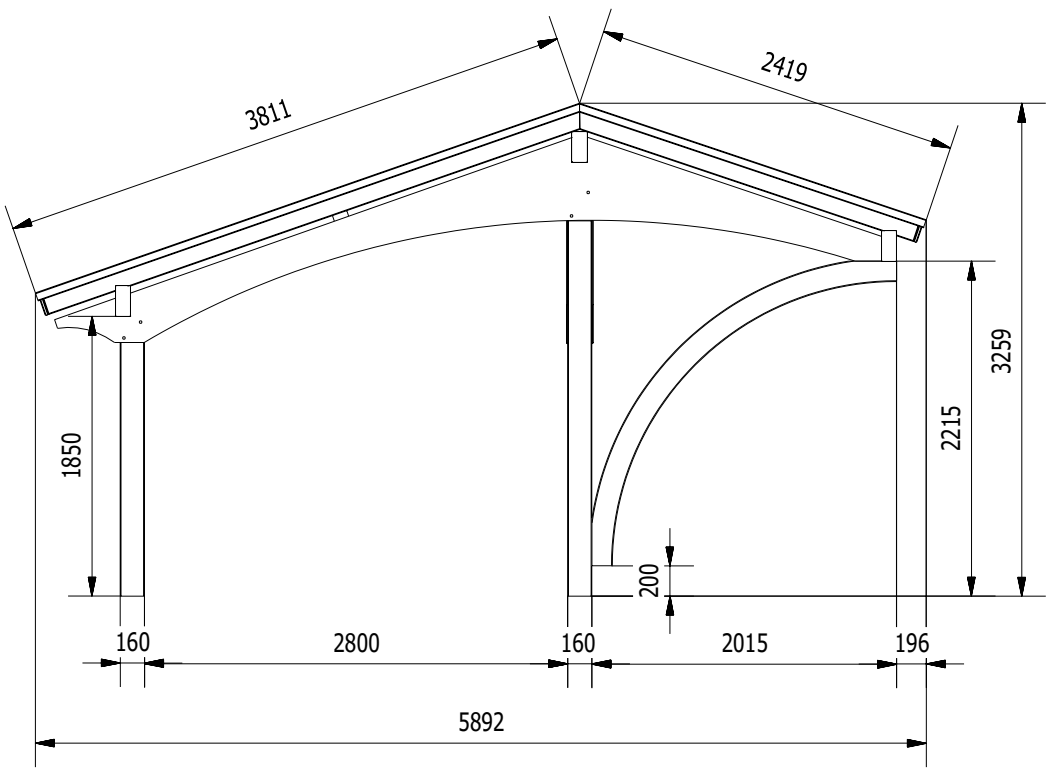
W = 589 cm

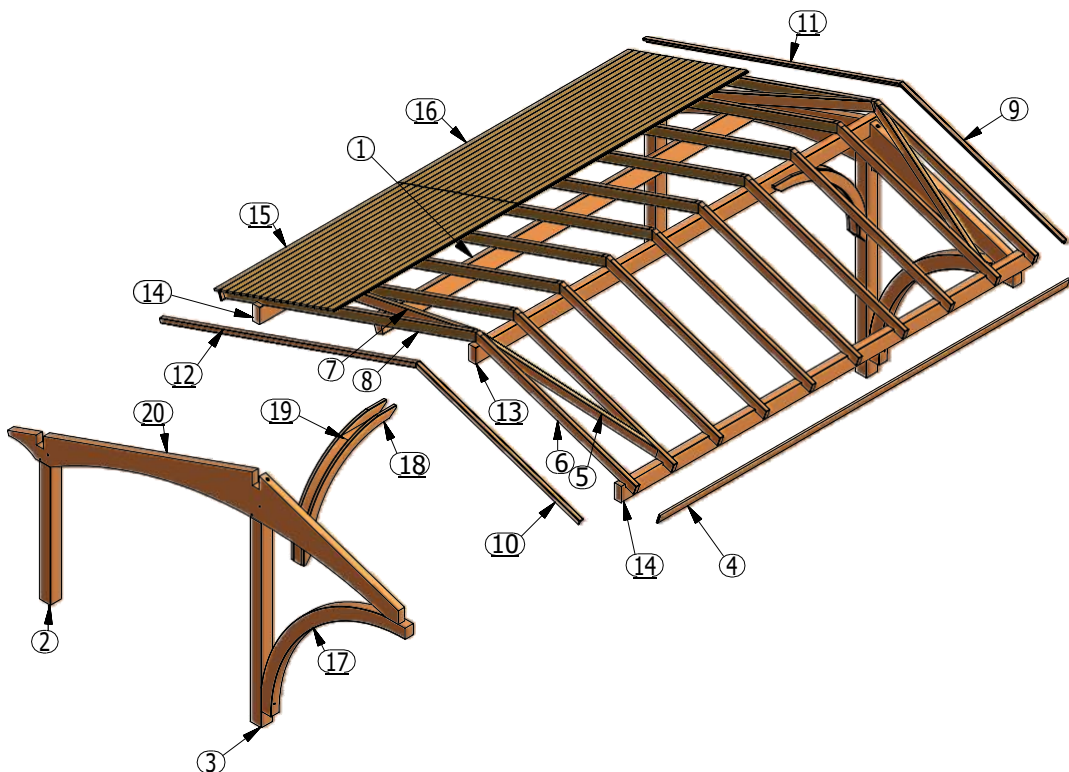
H = 325 cm



G-G (1 : 50)

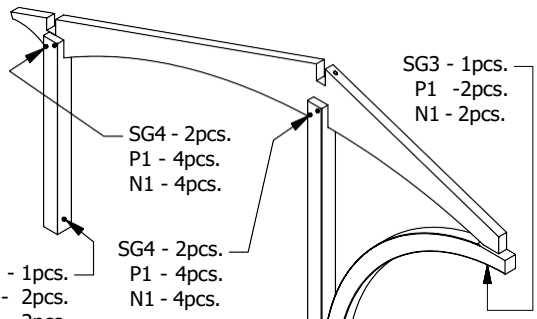
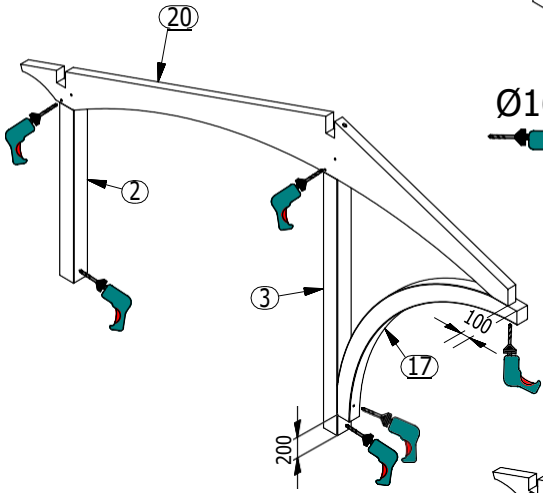
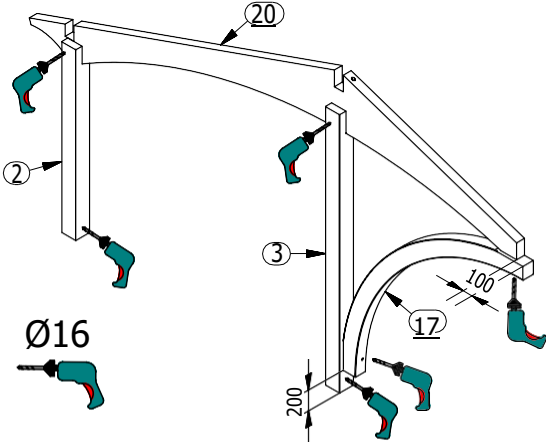




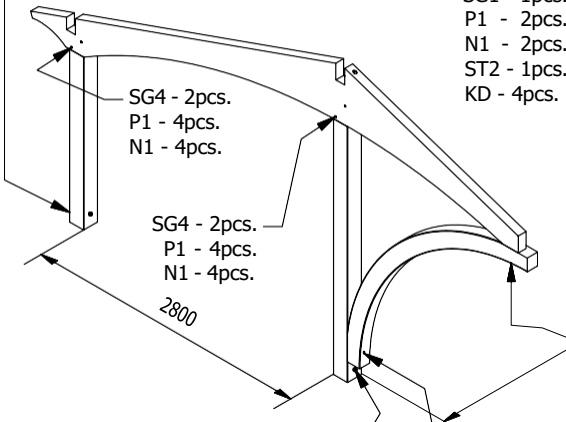


PARTS			PARTS		
PART	QTY	PARTS	PART	QTY	PARTS
1	1	beam 100x200x5294	11	1	beam 56x56x3811a*
2	2	post 160x160x1850	12	1	beam 56x56x3811b*
3	2	post 160x160x2700	13	1	beam 100x200x5750 a
4	2	beam 22x120x5748	14	2	beam 100x200x5750 b
5	2	beam 56x120x2150	15	64/80	beam 22x114x2582/kantówka 22x94x2582
6	10	beam 56x120x2370	16	64/80	beam 22x114x3228/kantówka 22x94x3228
7	2	beam 56x120x3150	17	2	arch 118x160x2850Rw1880
8	10	beam 56x120x3762	18	4	arch 38x120x1838Rw1090
9	1	beam 56x56x2419a*	19	2	arch 100x120x1583Rw1090
10	1	beam 56x56x2419b*	20	2	arch 88x560x5469Rw5800
				42,35	Felt tiles
				m ²	

* parts if bought including felt tiles



- SG1 - 1pcs.
- P1 - 2pcs.
- N1 - 2pcs.
- ST2 - 1pcs.
- KD - 4pcs.



- SG4 - 2pcs.
- P1 - 4pcs.
- N1 - 4pcs.

- SG4 - 2pcs.
- P1 - 4pcs.
- N1 - 4pcs.

- SG1 - 1pcs.
- P1 - 2pcs.
- N1 - 2pcs.
- ST2 - 1pcs.
- KD - 4pcs.

- SG4 - 2pcs.
- P1 - 4pcs.
- N1 - 4pcs.

- SG3 - 1pcs.
- P1 - 2pcs.
- N1 - 2pcs.

- SG3 - 1pcs.
- P1 - 2pcs.
- N1 - 2pcs.

- SG1 - 1pcs.
- P1 - 2pcs.
- N1 - 2pcs.
- ST2 - 1pcs.
- KD - 4pcs.

5150

- SG3 - 1pcs.
- P1 - 2pcs.
- N1 - 2pcs.

- SG1 - 1pcs.
- P1 - 2pcs.
- N1 - 2pcs.
- ST2 - 1pcs.
- KD - 4pcs.

- SG3 - 1pcs.
- P1 - 2pcs.
- N1 - 2pcs.

